

Accessories for Industrial Computers for Hazardous Locations, Series J

Catalog Numbers 6189V-BOOKBRKT, 6189X-32GDDR4, 6189X-64GDDR4, 6189X-64GCFAS, 6189X-256GBSSD3, 6189X-512GBSSD, 6189X-1TBSSD, 6189X-MCLPS, 6189X-PCIRISER, 6189X-SUNSHIELD

These accessories are for use with 618IX Series J industrial computers for hazardous locations, and are apart of Ex certificates: IECEx UL 23.0060X, UL 23 ATEX 3066X, UL-BR 23.1284X, and UL23UKEX2943X.



ATTENTION: Read this document and the documents listed in the [Additional Resources](#) section about installation, configuration and operation of this equipment before you install, configure, operate or maintain this product. Users are required to familiarize themselves with installation and wiring instructions in addition to requirements of all applicable codes, laws, and standards.

Activities including installation, adjustments, putting into service, use, assembly, disassembly, and maintenance are required to be carried out by suitably trained personnel in accordance with applicable code of practice. If this equipment is used in a manner not specified by the manufacturer, the protection provided by the equipment may be impaired.

注意：在安装、配置、操作和维护本产品前，请阅读本文档以及“其他资源”部分列出的有关设备安装、配置和操作的相应文档。除了所有适用规范、法律和标准的相关要求之外，用户还必须熟悉安装和接线说明。

安装、调整、投运、使用、组装、拆卸和维护等各项操作必须由经过适当训练的专业人员按照适用的操作规范实施。

如果未按照制造商指定的方式使用该设备，则可能会损害设备提供的保护。

ATENÇÃO: Antes de instalar, configurar, poner en funcionamiento o realizar el mantenimiento de este producto, lea este documento y los documentos listados en la sección Recursos adicionales acerca de la instalación, configuración y operación de este equipo. Los usuarios deben familiarizarse con las instrucciones de instalación y cableado y con los requisitos de todos los códigos, leyes y estándares vigentes.

El personal debidamente capacitado debe realizar las actividades relacionadas a la instalación, ajustes, puesta en servicio, uso, ensamblaje, desensamblaje y mantenimiento de conformidad con el código de práctica aplicable. Si este equipo se usa de una manera no especificada por el fabricante, la protección provista por el equipo puede resultar afectada.

ATENÇÃO: Leia este e os demais documentos sobre instalação, configuração e operação do equipamento que estão na seção Recursos adicionais antes de instalar, configurar, operar ou manter este produto. Os usuários devem se familiarizar com as instruções de instalação e fiação além das especificações para todos os códigos, leis e normas aplicáveis.

É necessário que as atividades, incluindo instalação, ajustes, colocação em serviço, utilização, montagem, desmontagem e manutenção sejam realizadas por pessoal qualificado e especializado, de acordo com o código de prática aplicável.

Caso este equipamento seja utilizado de maneira não estabelecida pelo fabricante, a proteção fornecida pelo equipamento pode ficar prejudicada.

ВНИМАНИЕ: Перед тем как устанавливать, настраивать, эксплуатировать или обслуживать данное оборудование, прочитайте этот документ и документы, перечисленные в разделе «Дополнительные ресурсы». В этих документах изложены сведения об установке, настройке и эксплуатации данного оборудования. Пользователи обязаны ознакомиться с инструкциями по установке и прокладке соединений, а также с требованиями всех применимых норм, законов и стандартов.

Все действия, включая установку, наладку, ввод в эксплуатацию, использование, сборку, разборку и техническое обслуживание, должны выполняться обученным персоналом в соответствии с применимыми нормами и правилами.

Если оборудование используется не предусмотренным производителем образом, защита оборудования может быть нарушена.

注意：本製品を設置、構成、稼働または保守する前に、本書および本機器の設置、設定、操作についての参考資料の該当箇所に記載されている文書に目を通してください。ユーザは、すべての該当する条例、法律、規格の要件に加えて、設置および配線の手順に習熟している必要があります。

設置調整、運転の開始、使用、組立て、解体、保守を含む諸作業は、該当する実施規則に従って訓練を受けた適切な作業員が実行する必要があります。

本機器が製造メーカーにより指定されていない方法で使用されている場合、機器により提供されている保護が損なわれる恐れがあります。

ACHTUNG: Lesen Sie dieses Dokument und die im Abschnitt „Weitere Informationen“ aufgeführten Dokumente, die Informationen zu Installation, Konfiguration und Bedienung dieses Produkts enthalten, bevor Sie dieses Produkt installieren, konfigurieren, bedienen oder warten. Anwender müssen sich neben den Bestimmungen aller anwendbaren Vorschriften, Gesetze und Normen zusätzlich mit den Installations- und Verdrahtungsanweisungen vertraut machen.

Arbeiten im Rahmen der Installation, Anpassung, Inbetriebnahme, Verwendung, Montage, Demontage oder Instandhaltung dürfen nur durch ausreichend geschulte Mitarbeiter und in Übereinstimmung mit den anwendbaren Ausführungsvorschriften vorgenommen werden.

Wenn das Gerät in einer Weise verwendet wird, die vom Hersteller nicht vorgesehen ist, kann die Schutzfunktion beeinträchtigt sein.

ATTENTION: Lisez ce document et les documents listés dans la section Ressources complémentaires relatifs à l'installation, la configuration et le fonctionnement de cet équipement avant d'installer, configurer, utiliser ou entretenir ce produit. Les utilisateurs doivent se familiariser avec les instructions d'installation et de câblage en plus des exigences relatives aux codes, lois et normes en vigueur. Les activités relatives à l'installation, le réglage, la mise en service, l'utilisation, l'assemblage, le démontage et l'entretien doivent être réalisées par des personnes formées selon le code de pratique en vigueur.

Si cet équipement est utilisé d'une façon qui n'a pas été définie par le fabricant, la protection fournie par l'équipement peut être compromise.

주의：본 제품 설치, 설정, 작동 또는 유지 보수하기 전에 본 문서를 포함하여 설치, 설정 및 작동에 관한 참고 자료 섹션의 문서들을 반드시 읽고 숙지하십시오. 사용자는 모든 관련 규정, 법규 및 표준에서 요구하는 사항에 대해 반드시 설치 및 배선 지침을 숙지해야 합니다.

설치, 조정, 가동, 사용, 조립, 분해, 유지보수 등 모든 작업은 관련 규정에 따라 적절한 교육을 받은 사용자를 통해서만 수행해야 합니다.

본 장비를 제조사가 명시하지 않은 방법으로 사용하면 장비의 보호 기능이 손상될 수 있습니다.

ATTENZIONE: Prima di installare, configurare ed utilizzare il prodotto, o effettuare interventi di manutenzione su di esso, leggere il presente documento ed i documenti elencati nella sezione "Altre risorse", riguardanti l'installazione, la configurazione ed il funzionamento dell'apparecchiatura. Gli utenti devono leggere e comprendere le istruzioni di installazione e cablaggio, oltre ai requisiti previsti dalle leggi, codici e standard applicabili.

Le attività come installazione, regolazioni, utilizzo, assemblaggio, disassemblaggio e manutenzione devono essere svolte da personale adeguatamente addestrato, nel rispetto delle procedure previste. Qualora l'apparecchio venga utilizzato con modalità diverse da quanto previsto dal produttore, la sua funzione di protezione potrebbe venire compromessa.

DİKKAT: Bu ürünün kurulumu, yapılandırılması, işletilmesi veya bakımı öncesinde bu dokümanı ve bu ekipman kurulumu, yapılandırılması ve işletimi ile ilgili İlave Kaynaklar bölümünde yer listelenmiş dokümanları okuyun. Kullanıcılar yürürlükteki tüm yönetmelikler, yasalar ve standartların gereksinimlerine ek olarak kurulum ve kablolama talimatlarını da öğrenmek zorundadır.

Kurulum, ayarlar, hizmete alma, kullanma, parçaları birleştirme, parçaları sökme ve bakım gibi aktiviteler sadece uygun eğitimleri almış kişiler tarafından yürürlükteki uygulama yönetmeliklerine uygun şekilde yapılabilir.

Bu ekipman üretici tarafından belirlenmiş amacın dışında kullanılırsa, ekipman tarafından sağlanan koruma bozulabilir.

注意事項：在安装、設定、操作或維護本產品前，請先閱讀此文件以及列於「其他資源」章節中有關安裝、設定與操作此設備的文件。使用者必須熟悉安裝和配線指示，並符合所有法規、法律和標準要求。

包括安裝、調整、交付使用、使用、組裝、拆卸和維護等動作都必須交由已經過適當訓練的人員進行，以符合適用的實作法規。

如果將設備用於非製造商指定的用途時，可能會造成設備所提供的保護功能受損。

POZOR: Než začnete instalovat, konfigurovat či provozovat tento výrobek nebo provádět jeho údržbu, přečtěte si tento dokument a dokumenty uvedené v části Dodatečné zdroje ohledně instalace, konfigurace a provozu tohoto zařízení. Uživatelé se musejí vedle požadavků všech relevantních vyhlášek, zákonů a norem nutně seznámit také s pokyny pro instalaci a elektrické zapojení.

Cínnosti zahrnující instalaci, nastavení, uvedení do provozu, užívání, montáž, demontáž a údržbu musí vykonávat vhodné proškolený personál v souladu s příslušnými prováděcími předpisy.

Pokud se toto zařízení používá způsobem neodpovídajícím specifikaci výrobce, může být narušena ochrana, kterou toto zařízení poskytuje.

UWAGA: Przed instalacją, konfiguracją, użytkowaniem lub konserwacją tego produktu należy przeczytać niniejszy dokument oraz wszystkie dokumenty wymienione w sekcji Dodatkowe źródła omawiające instalację, konfigurację i procedury użytkowania tego urządzenia. Użytkownicy mają obowiązek zapoznać się z instrukcjami dotyczącymi instalacji oraz przewodowania, jak również z obowiązującymi kodeksami, prawem i normami.

Działania obejmujące instalację, regulację, przekazanie do użytkowania, użytkowanie, montaż, demontaż oraz konserwację muszą być wykonywane przez odpowiednio przeszkolony personel zgodnie z obowiązującym kodeksem postępowania.

Jeśli urządzenie jest użytkowane w sposób inny niż określony przez producenta, zabezpieczenie zapewniane przez urządzenie może zostać ograniczone.

ÖBS: Läs detta dokument samt dokumentet, som står listat i avsnittet Övriga resurser, om installation, konfigurering och drift av denna utrustning innan du installerar, konfigurerar eller börjar använda eller utföra underhållsarbete på produkten. Användare måste bekanta sig med instruktioner för installation och kabeldragning, förutom krav enligt gällande koder, lagar och standarder.

Åtgärder som installation, justering, service, användning, montering, demontering och underhållsarbete måste utföras av personal med lämplig utbildning enligt lämpligt bruk.

Om denna utrustning används på ett sätt som inte anges av tillverkaren kan det hända att utrustningens skyddsanordningar försätts ur funktion.

LET OP: Lees dit document en de documenten die genoemd worden in de paragraaf Aanvullende informatie over de installatie, configuratie en bediening van deze apparatuur voordat u dit product installeert, configureert, bedient of onderhoudt. Gebruikers moeten zich vertrouwd maken met de installatie en de bedradingsinstructies, naast de vereisten van alle toepasselijke regels, wetten en normen. Activiteiten zoals het installeren, afstellen, in gebruik stellen, gebruiken, monteren, demonteren en het uitvoeren van onderhoud mogen uitsluitend worden uitgevoerd door hiervoor opgeleid personeel en in overeenstemming met de geldende praktijkregels.

Indien de apparatuur wordt gebruikt op een wijze die niet is gespecificeerd door de fabrikant, dan bestaat het gevaar dat de beveiliging van de apparatuur niet goed werkt.

Voltage Precaution



SHOCK HAZARD: Risk of electrical shock. Disconnect all power to your industrial computer before you remove any components. Failure to disconnect power can result in severe electrical shock to an individual or electrostatic discharge (ESD) damage to the computer and components.

Prepare for Accessory Installation

Before installing any accessory to your industrial computer, you must properly shut down the system to be sure that all data is retained. Perform the steps below to shut down your industrial computer.



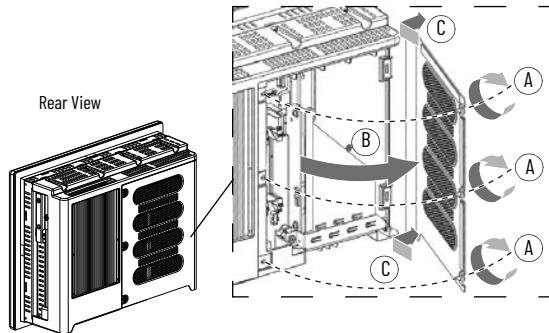
Depending on your schema, other connected components might need to be shut down before performing the shutdown on your industrial computer.

1. For systems using Microsoft Windows® operating system (OS):
 - a. Click the 'Windows' icon at the bottom left of the liquid crystal display (LCD) screen.
 - b. Select 'Power'.
 - c. Select 'Shut Down'.
 For systems using another OS:
 - a. See the software manufacturer's instructions to shut down the OS.
2. Disconnect the DC power supply that is connected to your industrial computer from the outlet.
3. Disconnect all peripheral cables.
4. Wear an electrostatic discharge (ESD) wriststrap and connect the other end to a common ground.

Install Internal Components

Remove the Cover

With your industrial computer properly shut down and all power and peripheral cables disconnected, perform the following steps to remove the cover from the chassis.



1. Use a #2 cross-head screwdriver to remove the three screws (A) from the rear cover.
2. Open the rear cover (B) then detach it from the chassis (C).

DIMM RAM, Cat. No. 6189X-32GDDR4, 6189X-64GDDR4

The motherboard on your industrial computer has two dual-channel DDR4 SO-DIMM slots, a dual memory module configuration.

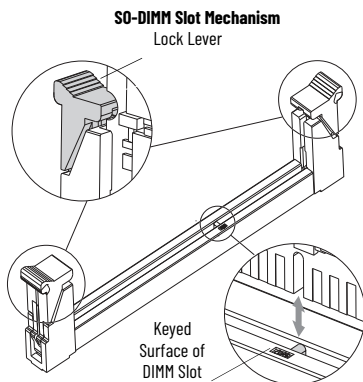
IMPORTANT Cat. No. 6189X-32GDDR4, and 6189X-64GDDR4 DIMM RAM memory modules with heatsinks are manufactured specifically for use in hazardous locations. Replace any existing memory configurations, including modules without heatsinks.

Each of the two memory modules must:

- be of the same capacity and
- be the same brand and model number of memory in the two slots to avoid system instability.



Figure 1 - DIMM Slot Mechanism



Remove Memory Modules

1. Hold the existing memory module by its edges to avoid touching the contacts on the bottom or circuitry on the board.
2. Use your thumbs or two fingers to push open the lock levers to release each memory module from its slot for easy removal. See [Figure 1](#) for guidance.
3. Gently pull out each memory module to remove it from its slot.
4. Place each memory module on a static-dissipating work surface or inside an anti-static bag.

Install Memory Modules

1. Hold the memory module with heatsinks by its edges to avoid touching the contacts on the bottom or circuitry on the board, then remove it from its protective packaging.
2. Position each memory module so the notch on its bottom edge aligns with the keyed surface of the slot. See [Figure 1](#) for guidance.

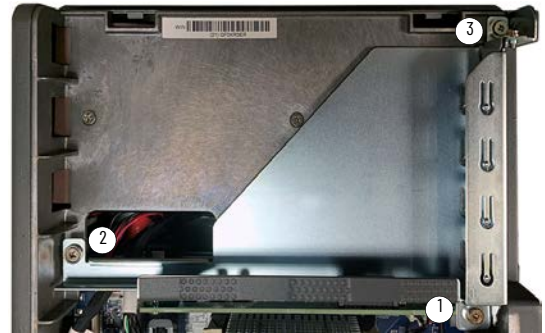


The keyed surface is off center to assist the correct alignment.

3. Press each memory module fully into the slot to engage the lock levers.
4. Proceed to [Reattach the Cover on page 2](#).

PCI Riser Card, Cat. No. 6189X-PCIRISER

Figure 2 - Add-in Card Tray - Screw Locations and Tightening Sequence



1. Hold the replacement card by its edges to avoid touching the contacts on the bottom or circuitry on the board, then remove it from its protective packaging.
2. Remove the three screws that secure the add-in card tray.
3. Remove and retain the three screws from the existing add-in card tray shown in [Figure 2](#).
4. Remove and retain the two screws that connect the factory-supplied PCIe riser card to the add-in card tray.

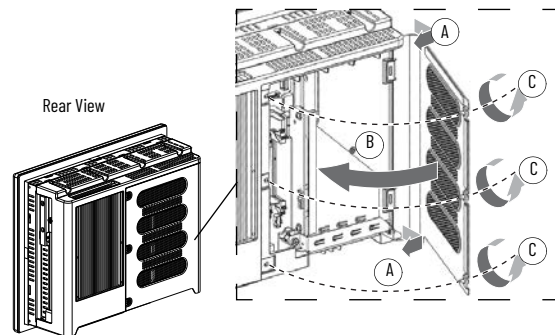


5. Connect the replacement PCI riser card to the add-in card tray with the two screws retained in step 4.



6. Tighten the three retained screws to the add-in card tray in the sequence shown in [Figure 2](#) to secure it to the motherboard.
7. Proceed to [Reattach the Cover](#).

Reattach the Cover



1. Reattach the rear cover to the chassis (A).
2. Close the rear cover (B).
3. Use a #2 cross-head screwdriver to secure the three screws to the rear cover (C).

Install External Components

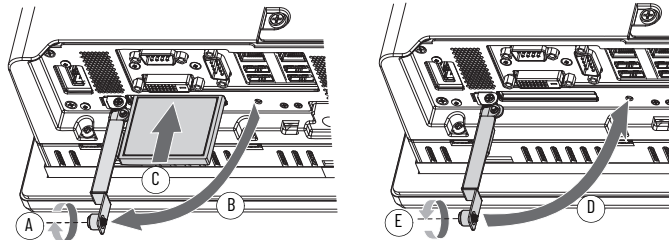
CFast Card, Cat. No. 6189X-64GCFAST



ATTENTION: For hazardous locations: Do not remove or insert the CFast SSD card from the CFast card slot unless your industrial computer has been properly shut down and power has been disconnected from it.
For non-hazardous locations: The CFast SSD card is hot swappable, meaning you can remove and insert the CFast SSD card from the CFast card slot while the industrial computer is powered on and functioning.

IMPORTANT

Cat. No. 6189X-64GCFAST is the only CFast card that can be installed in your industrial computer as it is approved for industrial and hazardous locations. A CFast SSD card intended for consumer products (such as digital cameras) does not have the endurance, performance, reliability, or data protection required for industrial applications (such as sudden power off). The CFast card should only be removed or installed in a non-hazardous location.



- Loosen the screw that secures the CFast card slot cover (A).
- Open the CFast card slot cover (B).
- If an existing CFast SSD card is present: Push the button on the hinge side to remove the existing CFast SSD card.
- Insert the Allen-Bradley® CFast card approved for industrial applications into the CFast card slot until it is firmly seated (C).

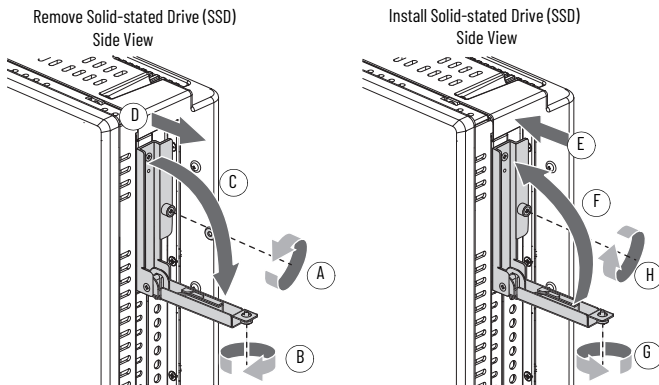


When properly seated, more than 80% of the CFast card easily inserts into the slot before you encounter resistance. If you encounter resistance sooner, then remove the card, rotate it 180°, and reinsert. Do not force the card into the slot or you can damage the connector pins.

- Close the CFast card slot cover (D).
- Hand-tighten the screw to secure CFast card slot cover (E).

IMPORTANT To comply with all hazardous location certifications, the CFast card slot cover screw must be hand-tightened and verified as secure.

Solid-state Drive, Cat. No. 6189X-256GBSSD3, 6189X-512GBSSD, 6189X-1TBSSD



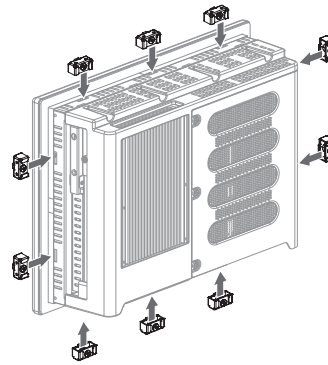
- Loosen the screw that secures the slot cover of the drive bay (A).
- Loosen the screw that secures the drive bay lever.
- Gently pull down on the drive bay lever (C).
- Pull out the existing SSD tray (D).
- Seat the new SSD in the SSD tray.
- Push in the new SSD tray (E).
- Close the drive bay lever (F).
- Tighten the screw that secures the drive bay lever (G).
- Tighten the screw that secures the slot cover of the drive bay (H).

IMPORTANT To comply with all hazardous location certifications, the CFast card slot cover screw must be hand-tightened and verified as secure.

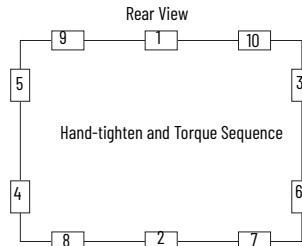
Mounting Clips, Cat. No. 6189X-MCLPS

- Use a screwdriver to loosen the existing mounting clips from your industrial computer.
- Slide the existing mounting clips out from the perimeter of your industrial computer to remove them.

- Slide the new mounting clips into the holes around the perimeter of your industrial computer.



- Hand-tighten the clips around the bezel in the following sequence:



- Repeat step 4 at least three more times until the mounting clips are hand-tight and the gasket is compressed uniformly against the panel.
- Use a torque limiting screwdriver to tighten the mounting clips to a torque of 1.35 N·m (12 lb·in) according to the sequence shown in the figure above.
- Repeat step 6 at least three more times until the mounting clips are properly torqued, making sure that the gasket is compressed uniformly against the panel.

IMPORTANT Do not overtighten the mounting clips. Overtightening will cause damage to the gasket.



ATTENTION: Tighten the mounting clips to 1.35 N·m (12 lb·in) to provide a proper seal to help prevent water or chemical damage to your industrial computer. Rockwell Automation assumes no responsibility for water or chemical damage to your industrial computer or other equipment because of improper installation.

Book Mount Bracket for Non-display Models, Cat. No. 6189V-BOOKBRKT

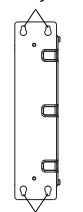
IMPORTANT Select an installation site that: (a) is an ergonomic height for the end user and (b) allows for minimum clearances and space behind the cutout in the wall to accommodate adequate airflow, future installation, and removal of peripheral components (such as internal hard drives) and peripheral cables.

Mount the Book Mount Bracket

- Place the book mount bracket against the mounting surface.
- Use a level and square to confirm that the mounting bracket is at 0° vertical.
- Mark the four mounting holes of the book mount bracket.
- Set the book mount bracket aside.
- Drill the marked mounting holes on the mounting surface.
- Align the four mounting holes of the book mount bracket with the four drilled holes on the mounting surface.
- Use a torque limiting screwdriver to tighten the four screws (not supplied) to a torque appropriate for the screws and mounted material.

Side View of Book Mount Bracket

Mounting Holes



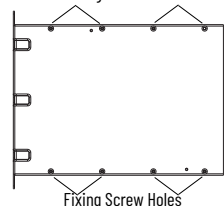
Mounting Holes

Attach the Non-display Industrial Computer

- Remove and discard the eight fixing screws from the backside of your non-display industrial computer.
- Align the eight fixing screw holes of your non-display industrial computer with the eight fixing screw holes on the side of the book mount bracket.
- Insert the eight fixing screws (supplied with the book mount bracket) through the eight mounting locations.
- Use a torque limiting screwdriver to tighten the eight fixing screws to a torque of 1.7...2.0 N·m (15...18 lb·in.).

Backside View

Fixing Screw Holes



Fixing Screw Holes

Sun Shield, Cat. No. 6189X-SUNSHIELD

IMPORTANT To be sure that your industrial computer does not exceed the environment specifications, adhere to the following requirements:

- The temperature between the sun shield and the display cannot exceed the maximum temperature of the display, which is 55 °C (131 °F).
- Adequately ventilate the sun shield to help prevent excess heat rise of the industrial computer display.



Gather these tools to properly install the sun shield: a small screwdriver, 50:50 cleaning solution of isopropyl alcohol and water, a clean cloth, a 4 mm screwdriver of hex key, and a M4x8 torque limiting screwdriver.

- Use a small screwdriver to remove the screw overlay label above the integrated display.



- Use a 50:50 cleaning solvent and clean cloth to wipe the perimeter of the integrated display where the sun shield will be installed.
- Align the six mounting holes on the sun shield with the six mounting holes on your industrial computer.
- Insert a M4x8 screw into each mounting hole on your industrial computer.
- Tilt the sun shield backward to access each side of the sun shield.
- Remove the adhesive strip backing from each side of the sun shield.
- Align each side of the sun shield flush against the side of your integrated display.
- Press each side of the sun shield firmly against each side of your integrated display.
- Use a 4 mm screwdriver or hex key to tighten the six screws.
- Use a M4x8 torque limiting screwdriver to tighten each screw to a torque of 0.7...0.9 N•m (6...8 lb-in.).

Certifications

This equipment for use with 6181X Industrial Computers for Hazardous Locations, Series J meets the following certifications. For the most current information on all certifications, visit the Rockwell Automation Product Certifications website at rok.auto/certifications.

	Turkey RoHS (EEE Yönetmeliğine Uygundur. In Conformity with the EEE Regulation)	
RoHS		UAE RoHS Numero 0434B DA ISO 7000
EAC	не предназначено для применения во взрывоопасных зонах. только для общепромышленного применения.	
INMETRO		Para manual de instruções em português, use o seguinte link: Computadores industriais para áreas classificadas, publicação 6181X-IN003-PT-P

Additional Resources

These documents contain additional information concerning related products from Rockwell Automation. You can view or download publications at rok.auto/literature.





Resource	Description
Industrial Computer for Hazardous Locations Installation Instructions, publication 6181X-IN003	Provides basic installation instructions to mount, connect cables, and install 6181X Series J industrial computer for hazardous locations.
Industrial Computer for Hazardous Locations User Manual, publication 6181X-UM003	Provides an overview of the system, procedures to install, connect, operate, and troubleshoot a 6181X Series J industrial computer for hazardous locations.
Industrial Automation Wiring and Grounding Guidelines, publication 1770-4.1	Provides general guidelines for installing a Rockwell Automation industrial system.
Product Certifications website, rok.auto/certifications .	Provides declarations of conformity, certificates, and other certification details.

Your comments help us serve your documentation needs better. If you have any suggestions on how to improve our content, complete the form at rok.auto/docfeedback.

For technical support, visit rok.auto/support.

Rockwell Automation maintains current product environmental compliance information on its website at rok.auto/pec.

Rockwell Otomasyon Ticaret A.Ş. Kar Plaza İş Merkezi E Blok Kat:6 34752, İçerenköy, İstanbul, Tel: +90 (216) 5698400 EEE Yönetmeliğine Uygundur

Connect with us.    

rockwellautomation.com

expanding human possibility®

AMERICAS: Rockwell Automation, 1201 South Second Street, Milwaukee, WI 53204-2496 USA, Tel: (1) 414.382.2000

EUROPE/MIDDLE EAST/AFRICA: Rockwell Automation NV, Pegasus Park, De Kleetlaan 12a, 1831 Diegem, Belgium, Tel: (32) 2663 0600

ASIA PACIFIC: Rockwell Automation SEA Pte Ltd, 2 Corporation Road, #04-05, Main Lobby, Corporation Place, Singapore 618494, Tel: (65) 6510 6608

UNITED KINGDOM: Rockwell Automation Ltd., Pitfield, Kiln Farm, Milton Keynes, MK11 3DR, United Kingdom, Tel: (44)(1908) 838-800



PN-703107

Allen-Bradley, expanding human possibility, and Rockwell Automation are trademarks of Rockwell Automation, Inc. Trademarks not belonging to Rockwell Automation are property of their respective companies.

Publication 6181X-PC002B-EN-P - April 2024 | Supersedes Publication 6181X-PC002A-EN-P - September 2023
Copyright © 2024 Rockwell Automation, Inc. All rights reserved. Printed in China.

DIR 10007507984 (Version 01)